



Date: Tuesday, January 08, 2002
To: All Niles Dealers and Representatives
From: The Technical Support Department
Subject: SMS-10 and Wide Bandwidth Receivers

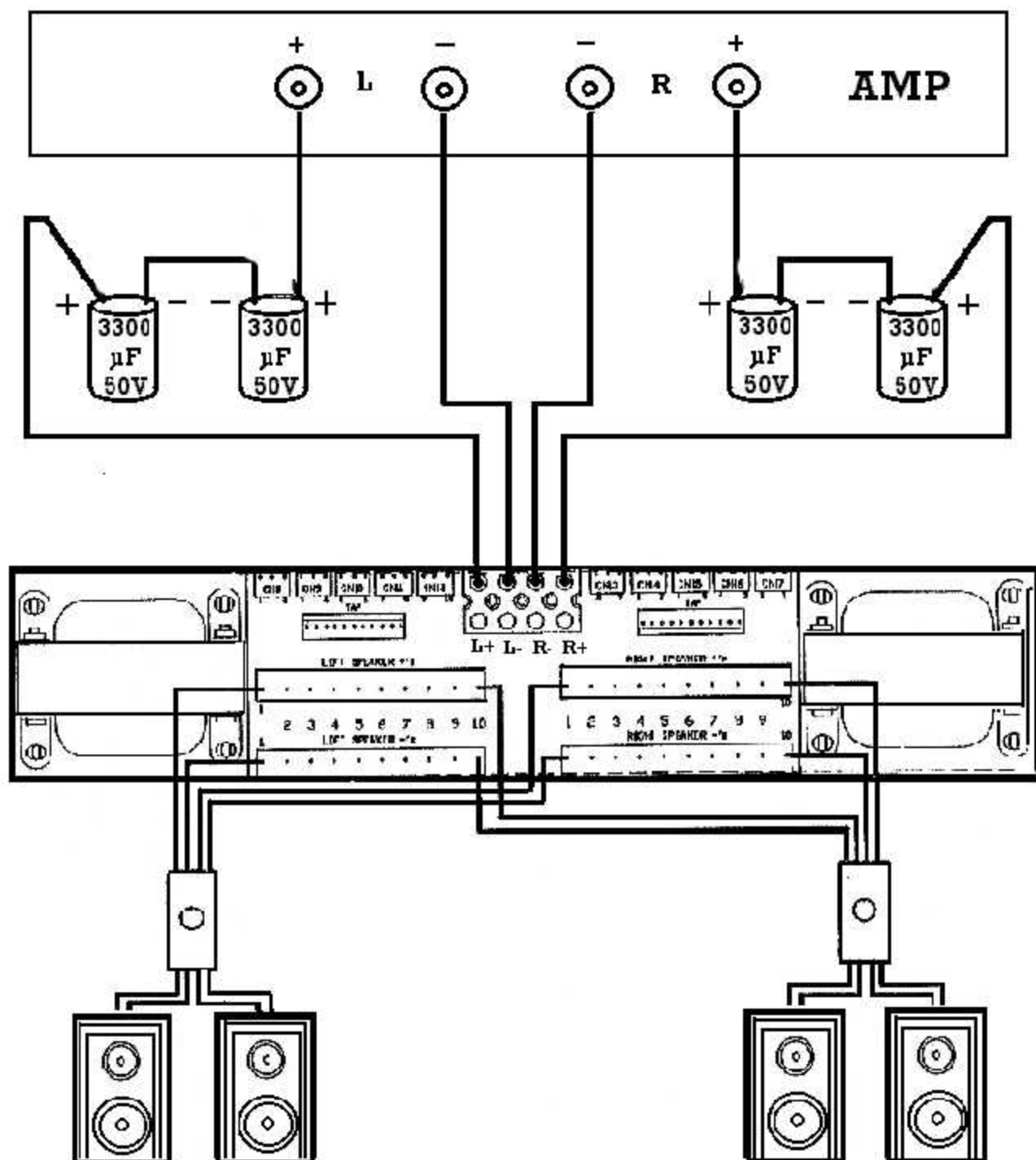
It has come to our attention that some dealers have experienced incompatibility issues when incorporating certain models of stereo receivers with the Niles SMS-10 and Impedance Magnifying volume controls (VCS-2D-IM, VCS-2S-IM and VCM-2D-IM). This incompatibility is caused by the fact that the receivers in question have ultra wide-bandwidth frequency response. Models we are aware of include, but are not limited to the Yamaha RX-777 and the Denon DRA-685.

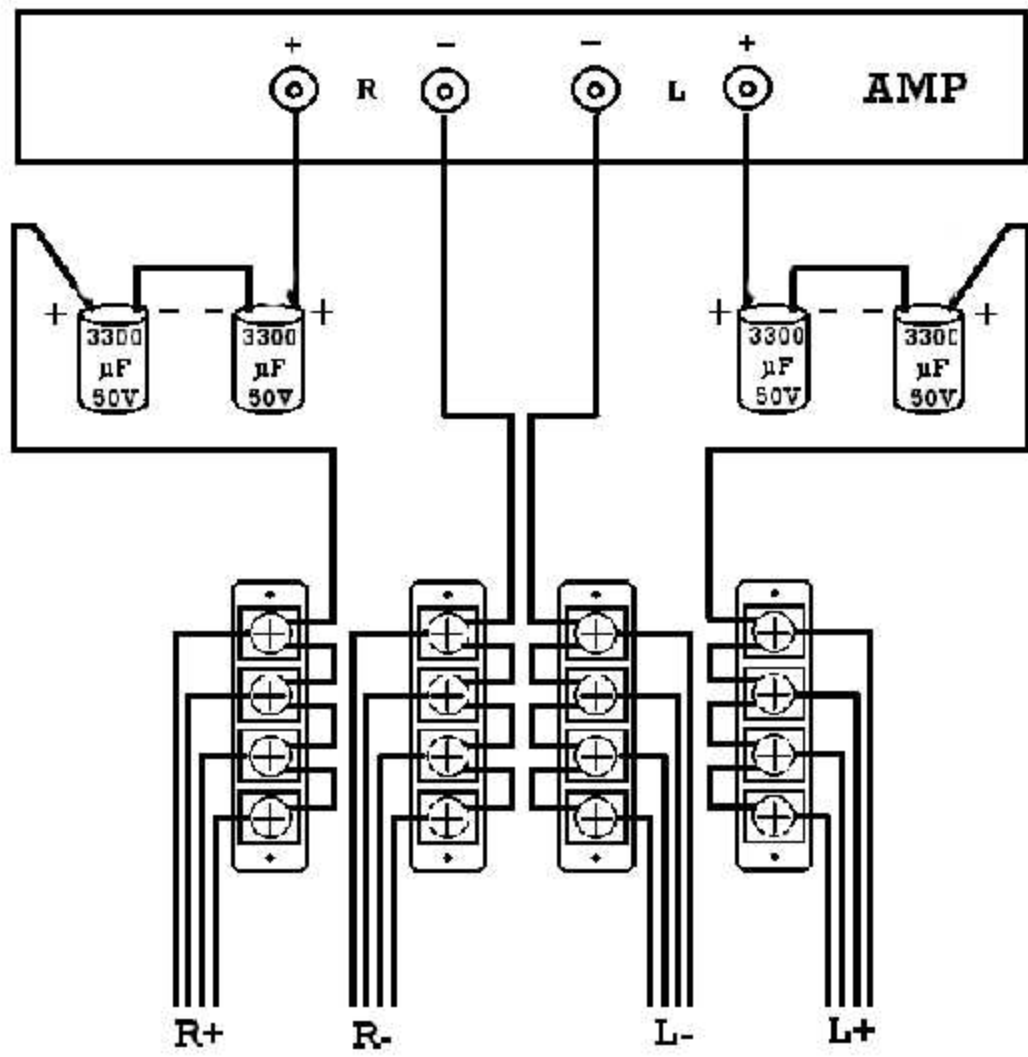
We have conducted tests to duplicate this condition and have determined that the incompatibility can be remedied by incorporating two capacitors with a value of 3300uF 50 V into the wiring configuration of each channel as shown in the accompanying diagrams. Figure 1 corresponds to the SMS-10 and figure 2 corresponds to Impedance Magnifying volume controls.

If you should have any questions about incorporating this solution into your system design please call Niles Technical Support at 1-800-289-4434 Monday through Friday from 8am - 7pm.

Parts Needed:

4 Capacitors (3300uF 50 V)





**Outputs To Impedance Matching
Volume Controls**