



Date: 04/10/2002
To: All Niles Dealers and Representatives
From: The Technical Support Department
Subject: MultiZone System Wiring

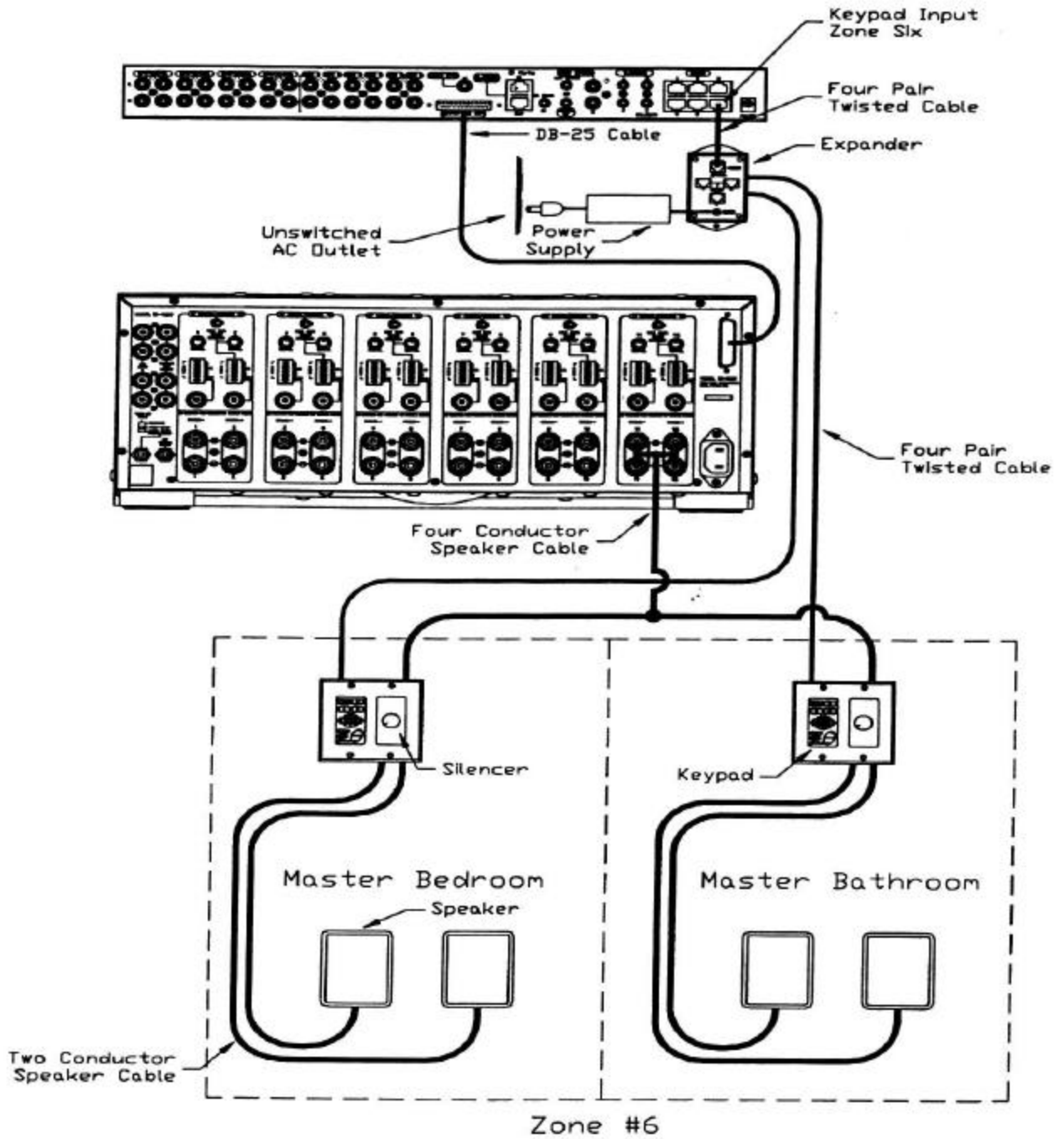
Page 1 of 3

In response to requests from the field we are providing information on general wiring considerations for both the A4.6 Ci MultiZone Preamp and the ZR-4630 MultiZone Receiver. To adequately pre-wire for future system expansion we recommend the following:

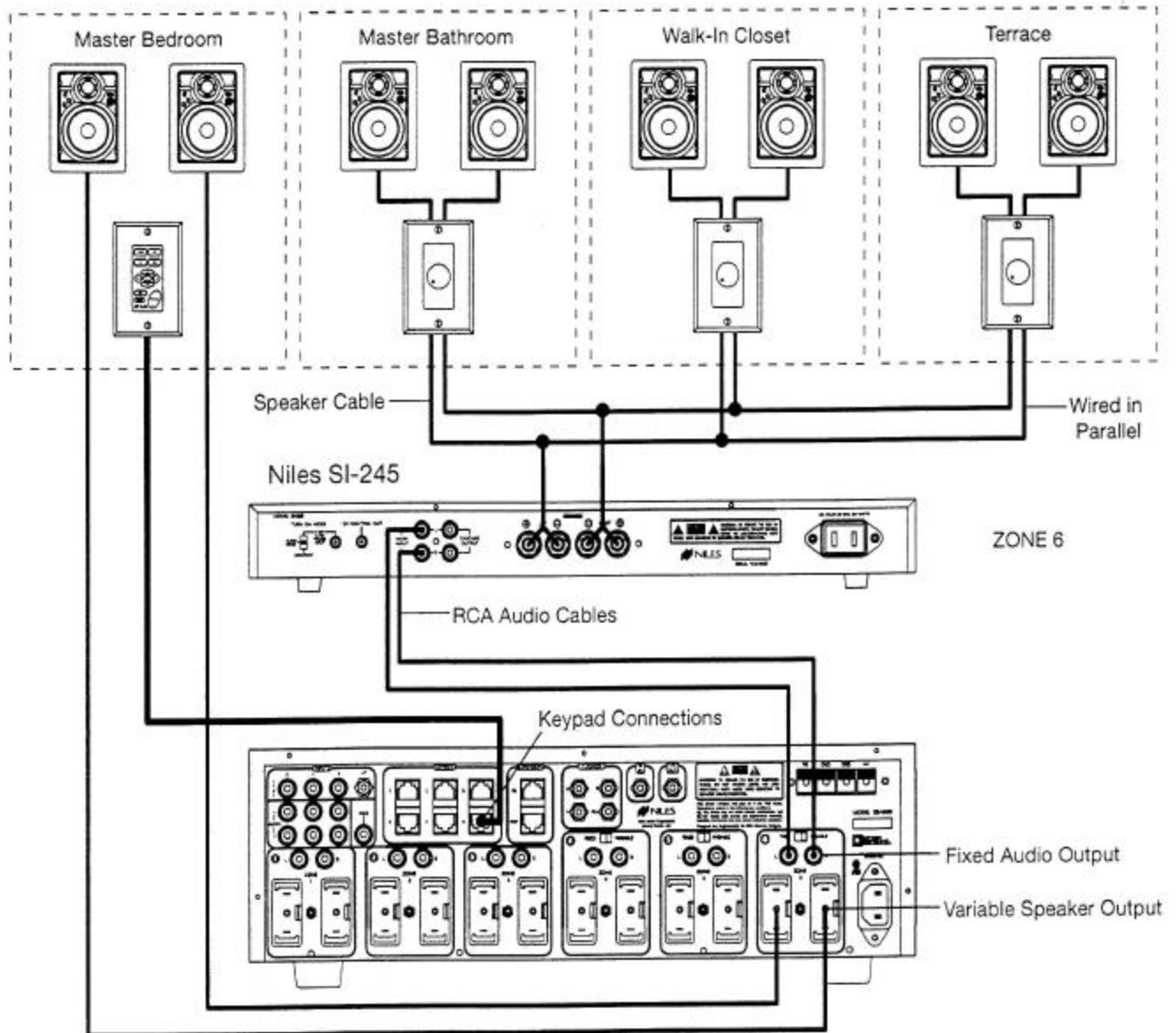
- 1) Homerun all cables
- 2) 1- Category 5 cable from the keypad location to the equipment location.
- 3) Adequate gauge speaker wire (18-12 gauge depending on length of run) from the equipment location, through the keypad location and then to the speakers.
- 4) 1- 22 gauge 2-conductor shield from the keypad location to the equipment location.

Please see the attached diagrams for room expansion capabilities between the A4.6 Ci MultiZone Preamp and the ZR-4630 MultiZone Receiver. If you have any questions or need further assistance, please contact Niles Technical Support at 800-289-4434 or e-mail us at: webmaster@nilesaudio.com

A4.6Ci MultiZone Preamp with Silencers



ZR-4630 MultiZone Receiver with Volume Controls



Niles Audio Corporation

12331 SW 130th Street • Miami, Florida 33186 • Mail: P.O. Box 160818 • Miami, Florida 33116
Tel: (305) 238-4373 • Fax: (305) 238-0185 • Internet: <http://www.nilesaudio.com>