

# MP525

## MULTIPURPOSE

# MP650

## MULTIPURPOSE

MP MULTIPURPOSE — Designed for utility and flexibility.

### SPECIFICATIONS

#### FREQUENCY RESPONSE

Plus or Minus 3dB

MP525: 65 Hz to 20 kHz  
MP650: 55 Hz to 20 kHz

#### RECOMMENDED AMPLIFIER POWER

MP525: 5 to 60 watts  
MP650: 5 to 75 watts

#### SENSITIVITY

89 dB 2.83V @ 1 meter.

#### IMPEDANCE

8 Ohms nominal

#### HEIGHT X WIDTH (With frame)

MP525: 9-7/8" x 7-1/8"  
MP650: 11-11/16" x 8-3/4"

#### HOLE CUTOUT

MP-525: 6-1/4" x 9"  
MP-650: 7-5/8" x 10-5/8"

#### DEPTH BEHIND WALL (Assumes 1/2" drywall)

MP525: 2-1/2"  
MP650: 2-3/4"



#### MP525

- 5-1/4" Talc-Filled Polypropylene Woofer with Treated Foam Rubber Suspension
- 3/4" Ultra Wide-Dispersion Polycarbonate Tweeter
- Complete System consists of: MP525 Speaker; 525 Bracket Kit and 525 Frame/Grille Kit



#### MP650

- 6-1/2" Talc-Filled Polypropylene Woofer with Treated Foam Rubber Suspension
- 3/4" Ultra Wide-Dispersion Polycarbonate Tweeter
- Complete System consists of: MP650 Speaker; 650 Bracket Kit and 650 Frame/Grille Kit

### INTRODUCTION

The MP Multipurpose group of loudspeakers is designed for utility and flexibility. These are quality sounding "general purpose" speakers. They function well as primary speakers in bedrooms, dens or living rooms; as main or surround speakers in home theaters; or in large arrays in commercial applications. Their unique combination of performance and value makes them perfect for a wide variety of jobs.

### FEATURES AND BENEFITS

#### Eight Ohm Impedance

The MP Multipurpose speakers are designed to be placed in multi-room systems with many pairs of speakers. The eight Ohm impedance is a very easy electrical load for most amplifiers. This allows many pairs of MP speakers to be wired to a single amplifier using a Niles speaker selection system.

#### Infrared Sensor Mount

The speaker baffle has a locator designed for the Niles MS-1 MicroSensor™, a miniature infrared sensor. The MS-1 installs discreetly behind the aluminum grille and therefore minimizes wall clutter in your home. When you want to control your

equipment, you simply point your remote control at the speaker from up to 15 feet away.

#### Polypropylene Woofer

The unusually stiff and light polypropylene cone is optimized for the fastest, most accurate response. Additionally, the use of proprietary materials and construction methods guarantees a long and reliable lifespan.

#### Absolutely Flush to the Wall Appearance

The unique mounting system of the MP loudspeakers powerfully clamps the frame to the bracket, sandwiching the wall material between them. Because the

clamping action is totally uniform around the frame, there are no shadows or gaps between the wall and the frame. Additionally, the Niles mounting system is carefully optimized to stiffen the surrounding drywall and prevent it from resonating. You hear only the music, not the drywall.

#### Dome Tweeter

The 3/4" polycarbonate dome tweeter offers ultra-wide dispersion characteristics, giving you unusual latitude for speaker placement. The smooth, extended frequency response of this unique tweeter assures great stereo imaging and remarkable clarity.



BLENDING HIGH FIDELITY AND ARCHITECTURE®

# MP525/MP650 Multipurpose Loudspeaker Group

## FEATURES AND BENEFITS (CONTINUED)

### BumpBack™ Woofer Magnet

Niles engineers have utilized a unique magnet construction allowing far greater "throw" or voice coil excursion. This allows a new level of deep bass performance to be achieved.

### X-Matrix™ Reinforced Baffle

The X-Matrix Baffle design uses specially molded ribs to add rigidity to the baffle. The end result is better bass and improved midrange detail.

### Acoustic Fine Tuning

An installer set "NORMAL/PRESENCE" control located behind the speaker baffle allows the speaker to be tuned to your particular room acoustics. You can adapt the sound for a room with lots of furniture, heavy drapes and wall to wall carpeting.

### Transformer Mount

The MP525 provides a mount for a 70 volt transformer for use in commercial applications.

### Low Diffraction, Paintable Aluminum

MP speakers are provided with MicroPerf™ rustproof aluminum grilles. The painted aluminum grille has hundreds of precisely sized perforations, creating an acoustically transparent grille.

## APPLICATION NOTES

### Three Stage Installation System Prevents Theft and Simplifies Painting

You install only the parts you need for a particular stage of construction. When the framing and wiring are finished, you install the *bracket*. After the drywall is up, but before the painter begins to paint, you install the *frame* and provide the rustproof aluminum *grilles* to the painter so that they can be painted to match the surroundings. Only when construction is completely finished do you put the valuable *speaker* in the wall.

### Easy Retrofit Installation

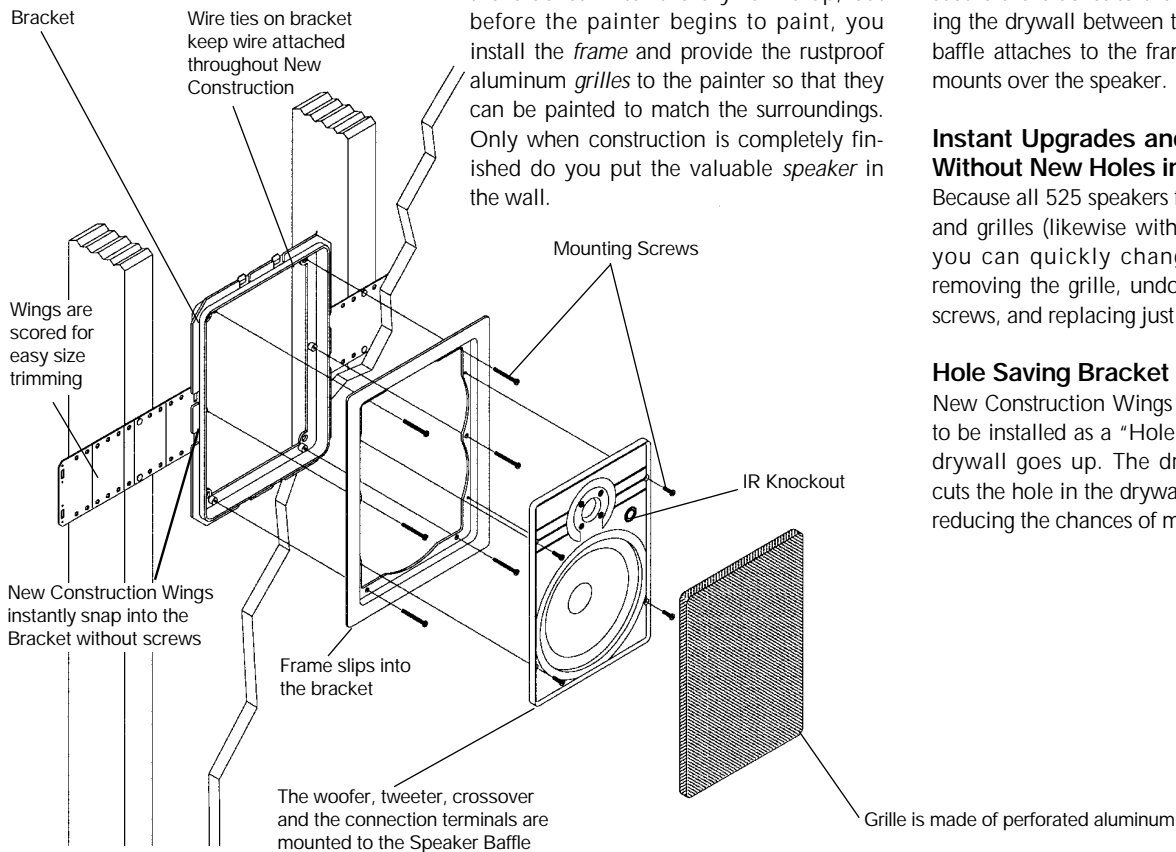
Designed for ease of installation, the Niles mounting system makes retrofit installations simple and fast. A supplied template assures fast and accurate hole cutting. The bracket slips behind the drywall and the screws secure the bracket to the frame, sandwiching the drywall between them. The speaker baffle attaches to the frame, and the grille mounts over the speaker.

### Instant Upgrades and Downgrades Without New Holes in the Wall

Because all 525 speakers fit into 525 frames and grilles (likewise with the 650 & 800), you can quickly change speakers by removing the grille, undoing the mounting screws, and replacing just the speaker.

### Hole Saving Bracket

New Construction Wings allow the Bracket to be installed as a "Hole Saver" before the drywall goes up. The drywall contractor cuts the hole in the drywall as it is installed, reducing the chances of misplaced wire.



**NILES AUDIO CORPORATION**  
12331 S.W. 130 STREET MIAMI, FLORIDA 33186  
TEL: (305) 238-4373 FAX: (305) 238-0185  
[www.nilesaudio.com](http://www.nilesaudio.com)

