

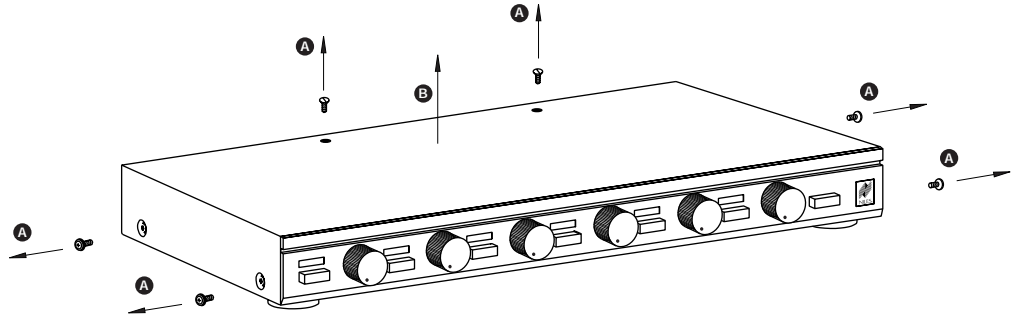
Installing the SVL-4 RMP, SVL-4A/B RMP, SVL-6 RMP

Step 1

CAUTION! Before removing top cover disconnect the speaker selector to the amplifier/receiver.

A: Remove the screws from the top and sides of the chassis

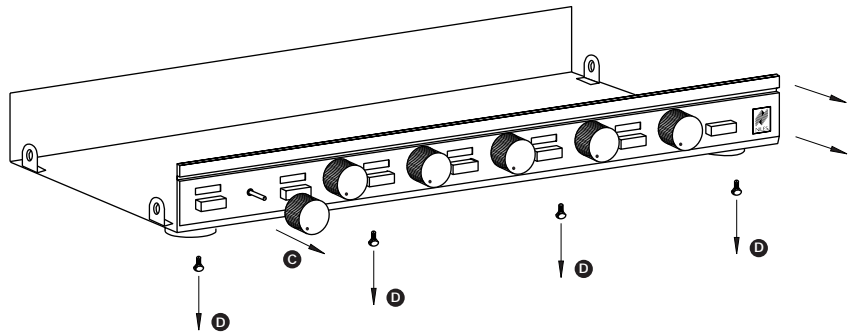
B: Remove the top cover



Step 2

C: Turn each knob completely counter-clockwise (to the full "off" position). With a 5/64" allen wrench, locate the two set screws on the side of the knob and loosen both screws until the knob can be removed. Remove all knobs

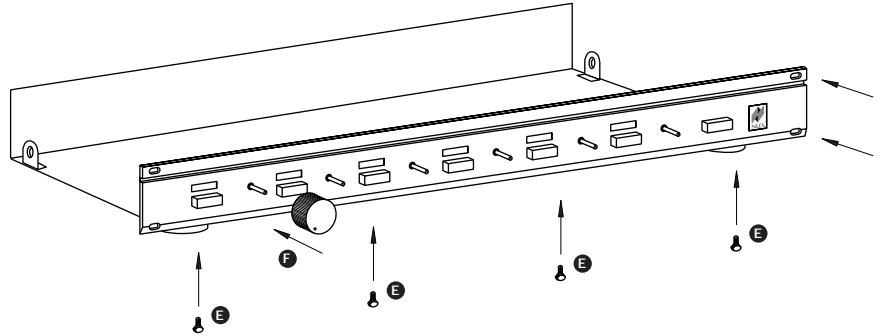
D: Remove the screws from the bottom of the front panel and detach from the chassis



Step 3

E: Secure the rack mount panel to the chassis replacing screws at the bottom of the panel

F: Return all of the knobs to the full "off" position, secure both set screws using the allen wrench



Step 4

G: Return the top cover to the unit

H: Replace the top cover screws

