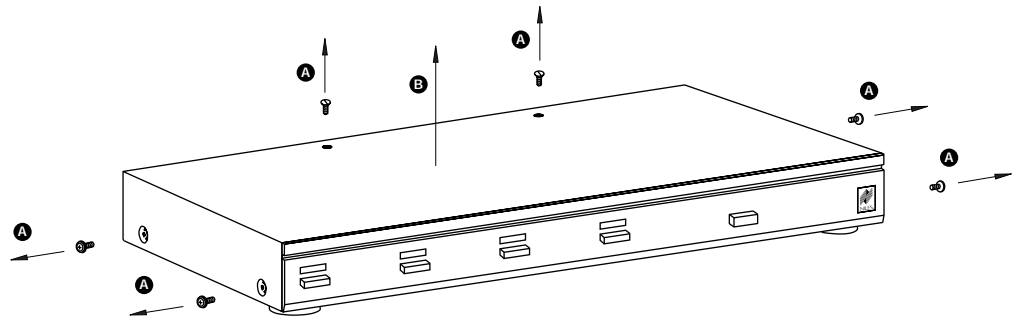


Installing the HDL-4 RMP, HDL-6 RMP

Step 1

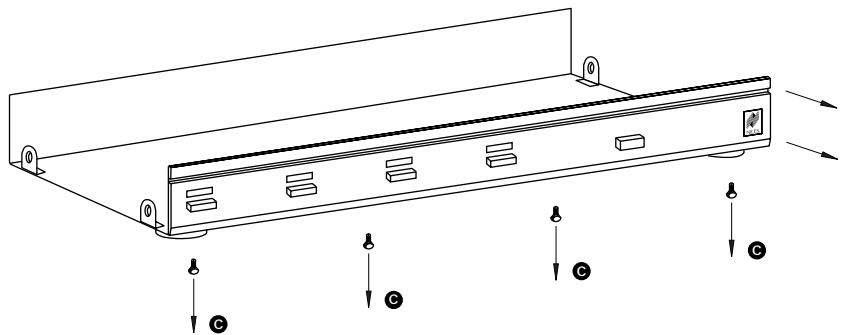
CAUTION! Before removing top cover disconnect the speaker selector to the amplifier/receiver.

- A: Remove the screws from the top and sides of the chassis
- B: Remove the top cover



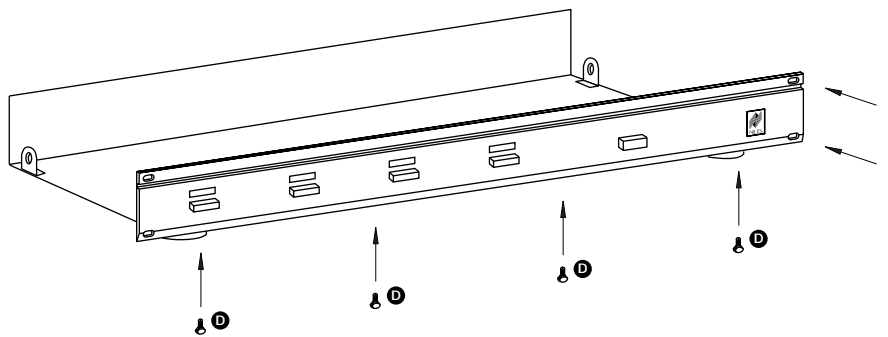
Step 2

- C: Remove the screws from the bottom of the front panel and detach from the chassis



Step 3

- D: Secure the rack mount panel to the chassis replacing the screws at the bottom of the panel



Step 4

- E: Return the top cover to the unit
- F: Replace the top cover screws

