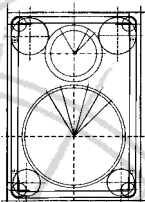


INSTALLATION GUIDE



blueprint
series
IN WALL
LOUDSPEAKERS

525

650

800

BRACKET KIT

print
ies



NILES

BLENDING HIGH FIDELITY AND ARCHITECTURE
WALL
EAKERS

Bracket Kit Contents

- 2 Brackets (525/650/800)
- 4 Wings for New Construction
- 9 #6 x 15/8" Phillips Head Drywall Screws (Includes 1 spare)
- 1 Hole Cutout Template

Three Stage Installation System for Remodels or New Construction

You install only the parts you need for a particular stage of construction. When the framing and wiring are finished, you install the *bracket*. After the drywall is up, but before the painter begins to paint, you install the *frame* and provide the rustproof aluminum *grilles* to the painter so that they can be painted to match the surroundings. Only when construction is completely finished do you put the valuable *speaker* in the wall.

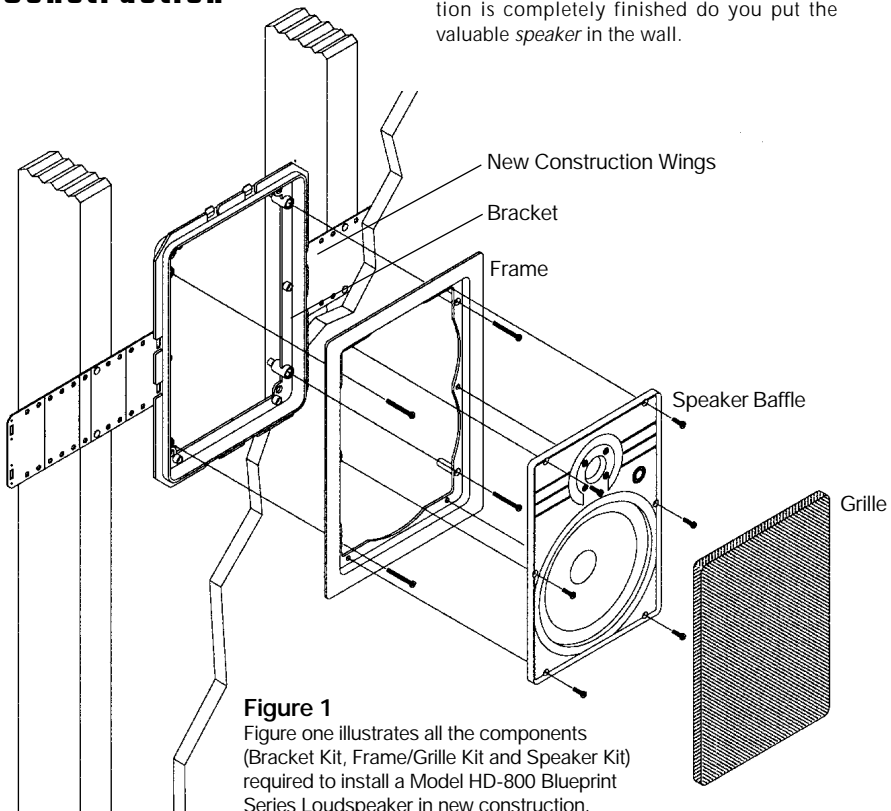


Figure 1

Figure one illustrates all the components (Bracket Kit, Frame/Grille Kit and Speaker Kit) required to install a Model HD-800 Blueprint Series Loudspeaker in new construction.

New Construction

Installing the Wings and Bracket

Attach the wings to the bracket by snapping them into the sides of the bracket. The wings can be shortened by breaking them along the scored lines if their length will interfere with a corner or eaves. You can mount the bracket horizontally or vertically (See Figure 2).

Screw one side of the assembled bracket with wings to the stud using one of the supplied screws. Level the bracket. Screw the other side of the bracket assembly to the stud. Two screws on each side makes for a very secure installation. Attach the wire to the bracket at the indicated wire tie points (See Figure 2).

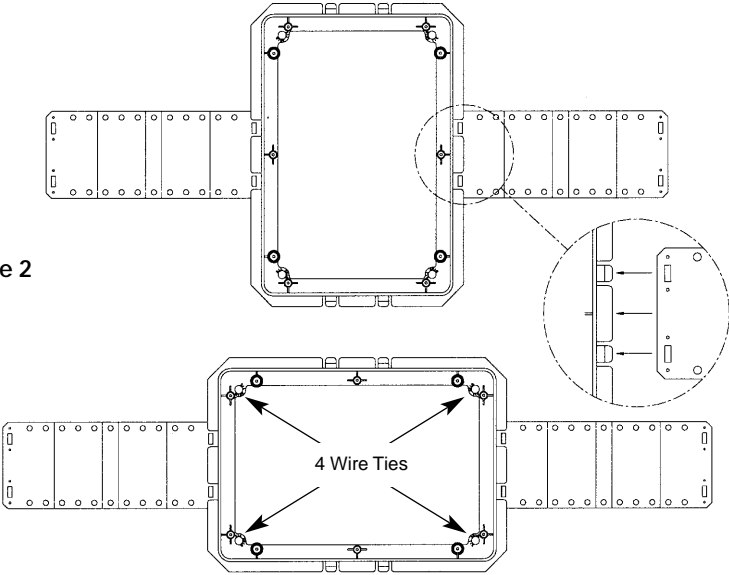


Figure 2

Existing Construction

The appropriate Frame/Grille Kit is required to install the Bracket in existing construction.

1. Drill a 1/8" pilot hole just barely through the wallboard or drywall (1/2" to 5/8" deep in most homes) about an inch below the center of your proposed speaker location (an inch to the side if you are mounting the speaker horizontally). BE VERY CAREFUL NOT TO DRILL THROUGH EXISTING WIRES, PIPES, OR STRUCTURE. IF YOU FEEL ANY EXTRA RESISTANCE AS YOU ARE DRILLING, STOP. Cut a piece of coat hanger equal to the width of the bracket. Bend the wire in half creating a right angle. Poke the "L-shaped" wire into the pilot hole and turn it in a complete circle. If it turns freely, repeat the procedure from

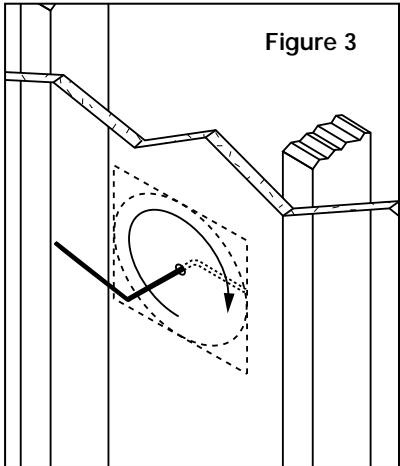


Figure 3

a hole about an inch above the center of your proposed speaker location (See Figure 3).

If the wires movement is obstructed by a pipe or cable, fill the hole(s) with spackle or other patching compound and try another location.

2. When determining the final location of the cutout keep in mind that the frame and bracket will extend beyond the cutout. Make sure that you do not place the edge of the cutout directly next to a stud. Locate the studs using a stud sensor or hand-knocking. Once you have determined the correct position for the cutout, hold the supplied template up to the wall surface. Level the template in either the horizontal or the vertical position and mark the wall with a pencil. Drill the four corners with a 1/4" drill bit.

3. If you are cutting a painted or wall papered wall use a sheetrock or keyhole saw. Cut the hole with the saw at a 45 degree angle. That way, the drywall section can be replaced cleanly if there is an unseen obstruction behind the wall. **BE VERY CAREFUL NOT TO SAW THROUGH EXISTING WIRES, PIPES, OR STRUCTURE. IF YOU FEEL ANY EXTRA RESISTANCE AS YOU ARE CUTTING, STOP.**

4. If you are cutting into lath and plaster walls, use masking tape to outline your penciled marks, drill the four corners with a 1/4" bit and use a razor to score the plaster down to the lath beneath. Then use a chisel to remove all of the

Hole Cutout Dimensions

525
6 1/4"
x 9"

800
9 1/8" x
13 1/8"

650
7 5/8" x
10 5/8"

plaster within the taped outline. Finally, insert a metal cutting blade into a sabre saw and very slowly and carefully saw the lath. Sawing the lath can easily vibrate plaster off the wall. If you have the patience, use a pair of tin snips to slowly nip away at the lath instead. There is no risk with this method, it is just time consuming.

5. Fill the wall cavity with insulation at this point. Remember to use equal amounts of insulation for each speaker.

6. Slip the mounting bracket through the hole and pull it toward you so that its front edge slides into the hole and stops in place.

7. Attach the frame to the bracket by screwing the frame to the bracket using the supplied screws. Do not overtighten the screws, this will distort the frame and the grilles will not fit (this is not permanent, just loosen the screws and the grille will pop in). The screws should pull the frame and bracket together (sandwiching the drywall) so that the frame is absolutely flush with the wall surface. There should be no gaps between the wall and the frame (See Figure 4).

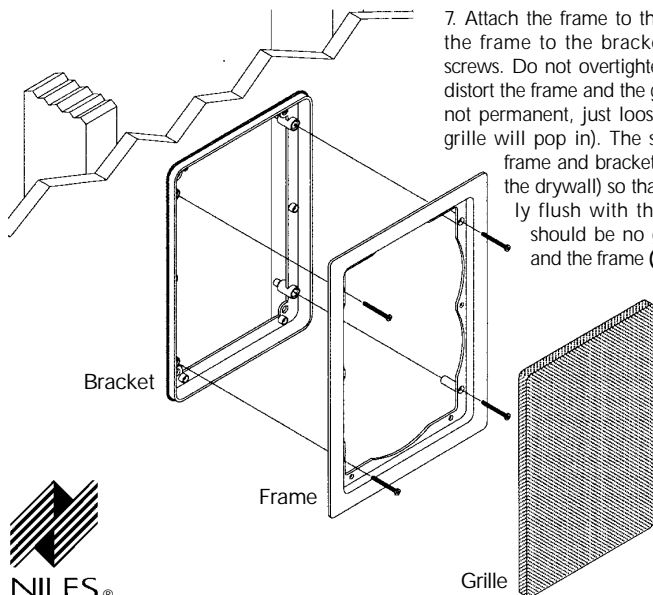


Figure 4
Figure four illustrates the installation of an 800 bracket, frame, and grille in existing construction



Niles Audio Corporation

12331 S.W. 130 Street Miami, Florida 33186 Tel: (305) 238-4373 Fax: (305) 238-0185

www.nilesaudio.com

Printed in Taiwan ©1999 Niles Audio Corporation DS00131A