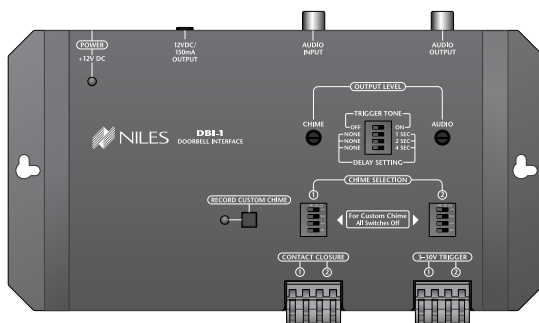




NILES®



INSTALLATION GUIDE



DOORBELL INTERFACE

DBI-1

CONGRATULATIONS!

Thank you for choosing **DBI-1 Doorbell Interface** from Niles. With proper installation and operation, you should enjoy years of trouble-free use.

Niles manufactures the industry's most complete line of custom installation components and accessories for audio/video systems. To see the complete Niles product assortment, visit us on the Internet at: **www.nilesaudio.com**



TABLE OF CONTENTS

Introduction	2
Features and Benefits	3
Parts Guide	4
Operation Overview	5
Description	6
Installation Considerations	8
Installation	9
Installation Settings	12
Specifications	15
Limited Warranty	16
Warranty Registration	17

INTRODUCTION

The DBI-1 Doorbell Interface provides realistic doorbell chimes throughout a home installed with a Niles MultiZone System. External contact closure and voltage triggers (for both a front and rear door) are combined with a programmable trigger tone/delay to integrate with many Niles MultiZone Control Systems.

The DBI-1 includes a choice of four pre-recorded and one recordable custom chime to provide the appropriate doorbell chime for any home. A UL-listed, universal voltage power supply is included for convenience.



FEATURES AND BENEFITS

- *Provides doorbell chimes to Niles MultiZone controllers*
- *Four selectable preprogrammed chimes and one user recorded sound option*
- *Two doorbell inputs, front and rear, triggered by voltage and contact closure via screwless two piece connector*
- *Doorbell input number one (1) only, will support a Lighted Doorbell Button and the DBI-1 will provide the Voltage to illuminate the doorbell button*
- *Separate level adjustments provided for chime and page pass through*
- *One gold-plated mono audio sensing input*
- *One gold-plated mono audio output*
- *UL-listed in-line power supply with universal voltage capability*
- *Two-year limited warranty*

PARTS GUIDE

The DBI-1 package includes the following parts:

- *One (1) DBI-1 Doorbell Interface*
- *One (1) Set of Rubber Feet*
- *One (1) Universal Voltage Power Supply*
- *One (1) Installation Guide*

After unpacking and before installation, the installer should carefully inspect the contents. If any damage is discovered due to shipping, the installer should contact Niles Audio for assistance (see back cover contact information).



OPERATION OVERVIEW

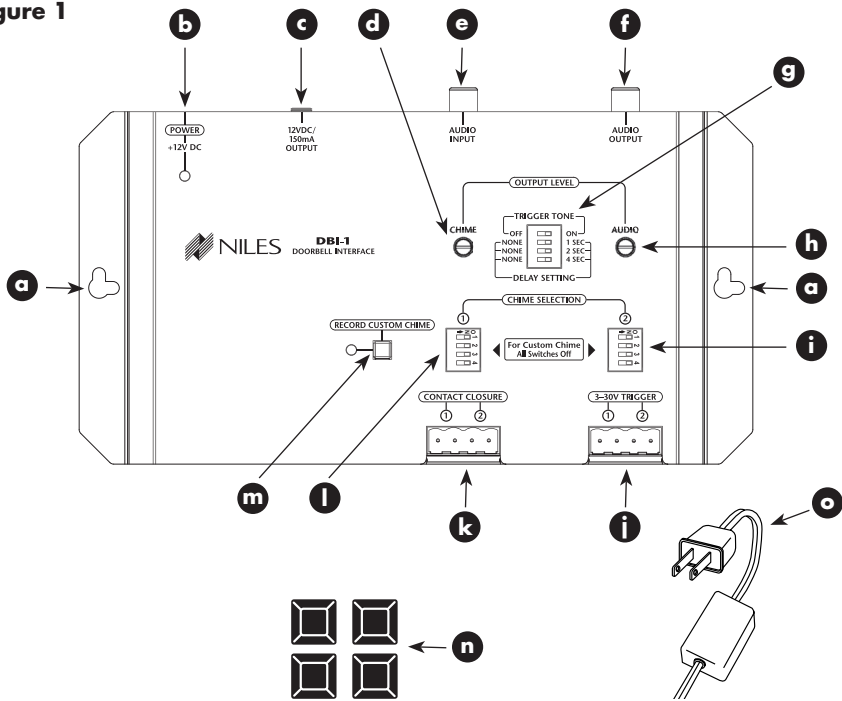
- *The DBI-1 is operated by the door bell switches and automation systems that connect to the contact closure and voltage trigger inputs. Triggers for two individual chimes (Chime Selection 1 & Chime Selection 2) are provided for a front and rear door.*
- *Placing the DBI-1 into Lighted Doorbell Mode, the DBI-1 will provide the Voltage to illuminate a single lighted doorbell button.*

DESCRIPTION

- a** Screw Holes for Mounting (screws not included)
- b** DC Power Jack and red LED Power Indicator
- c** (1) 12V DC 150mA Voltage Trigger Output when Chime is Activated
(2) Continuous Voltage provided when in Lighted Doorbell Mode
- d** Chime Output Level Adjustment
- e** RCA Audio Input
- f** RCA Audio Output
- g** Trigger Tone and Delay Settings
- h** Audio Output Level Adjustment
- i** Chime Selection 2 DIP Switches
- j** Chime 1 and 2 Voltage Triggers
- k** Chime 1 and 2 Contact Closure Triggers
- l** Chime Selection 1 DIP Switches
- m** Custom Chime Record Button and Record Indicator
- n** Rubber Feet for Table Top Mounting
- o** UL-listed, Universal Voltage Power Supply

DESCRIPTION (Continued)

Figure 1



NILES AUDIO CORPORATION – 1-800-BUY-HIFI – 1-305-238-4373

INSTALLATION CONSIDERATIONS

- *Included mounting wings and rubber feet provide for either table top or screw down mounting (see **Figure 1** on page 7).*
- *The included UL-listed, universal voltage power supply provides power to the DBI-1 (see **Figure 2** on page 10).*
- *The DBI-1 connects to the Paging Input of a Niles MultiZone Control System using a standard audio cable with male RCA connectors (see **Figure 2** on page 10).*
- *A paging system connects to the Audio Input of the DBI-1 using an RCA audio cable (see **Figure 2** on page 10).*
- *Doorbell momentary contact closure and momentary voltage triggers connect to the DBI-1 using two conductor wire (see **Figure 2** on page 10).*
- *A single constant Voltage Trigger Input to support a Lighted Doorbell Button. (see **Figure 3** on page 11).*

INSTALLATION

MOUNTING THE DBI-1

Once you have decided on the location for the DBI-1 (generally near the location of the Niles MultiZone Control System), make sure that the 12V DC power adapter and all cables are disconnected while mounting.

The DBI-1 can be either mounted on the back of a cabinet or on a wall using screws (not included). Also, it can be placed on a shelf using the included adhesive rubber feet (see **Figure 1** on page 7).

CONNECTING THE DBI-1

1. *Connect the Audio Output of the DBI-1 to the Paging Input of a compatible Niles MultiZone System (see **Figure 2** on page 10).*
2. *(Optional) Connect the Audio Output of a paging system to the Audio Input of the DBI-1 (see **Figure 2** on page 10).*
3. *Connect the voltage and or contact closure trigger cables to the Chime Triggers (see **Figure 2** on page 10).*
4. *(a) (Optional) Connect the 12V DC Voltage Trigger Output to a voltage activated device. (see **Figure 2** on page 10).*
(b) Connect the 12V DC Voltage Trigger Output to Door number one's (1) Voltage Trigger Input in parallel with the two conductors that are to power the Lighted Doorbell Button.
5. *Connect the included 12V DC in-line power adapter's voltage output plug into the DBI-1's power jack and then plug its AC power cord into an unswitched AC outlet (see **Figure 1** on page 7). The red LED power indicator will illuminate to confirm proper power connection.*

(CONTINUED ON NEXT PAGE)

Figure 2

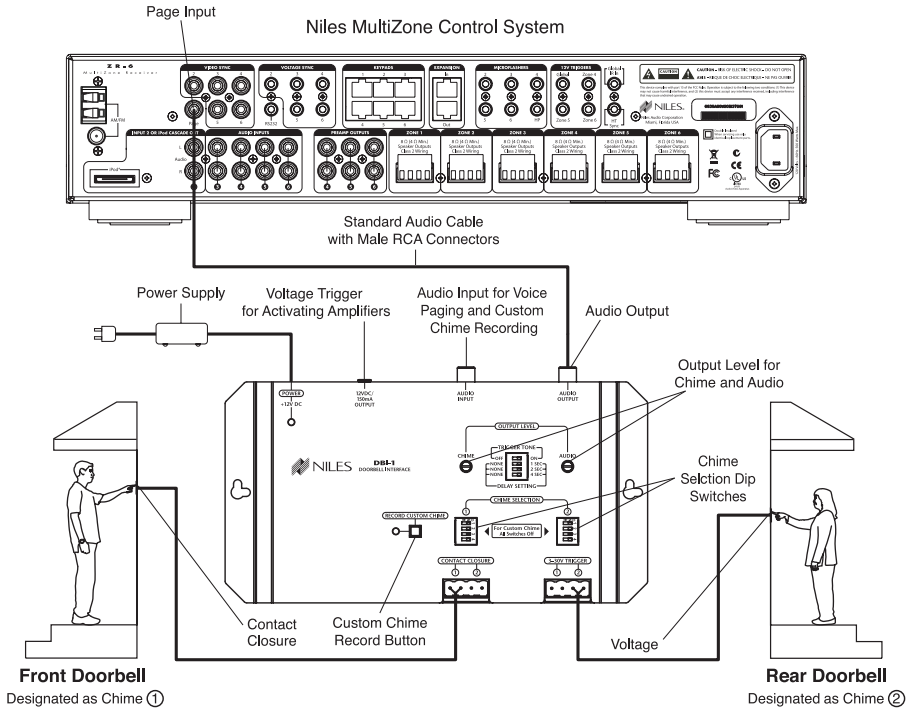
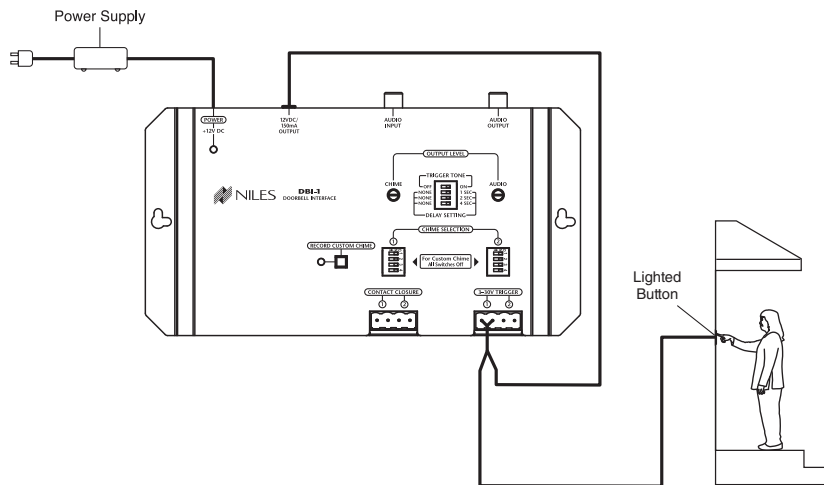


Figure 3



INSTALLATION SETTINGS

Contact Closure Triggers - Contact closure trigger inputs provide for two independent chime triggers. When triggered, the selectable trigger tone, assigned delay and chime are executed.

3V-30V Voltage Triggers - Voltage trigger inputs provide for two independent chime triggers. When triggered, the selectable trigger tone, assigned delay and chime are executed.

When in Lighted Doorbell Mode the DBI-1's door number one input requires a constant Voltage and the collapse of that voltage initiates the chime. Use the DBI-1's Trigger output to provide voltage to illuminate a single Lighted Doorbell Button. (See **Figure 3** on page 11)

Lighted Doorbell Mode - Press and hold the Record Button for 10-15 seconds, the Record LED will blink three (3) times. This will indicate door number one (1) has been placed in Lighted doorbell Button Mode.

The Voltage Trigger output will now be outputting a continuous voltage that will provide the 12V to illuminate the button and Door number one's (1) Voltage Input.

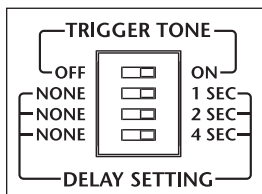
NOTE: 1. DO NOT USE THE AC POWER DISTRIBUTION IN AN EXISTING DOORBELL SYSTEM. 2. PRESS AND HOLD THE RECORD BUTTON FOR 10-15 SECONDS, THE RECORD LED WILL BLINK TWO (2) TIMES AND THIS WILL RESTORE THE DBI-1 TO ITS ORIGINAL SETTINGS.

NOTE: VOLTAGE TRIGGERS ARE NOT POLARITY DEPENDENT.

Chime and Audio Level Adjustments - Adjustable output level for the selected chime and the connected paging system.

NOTE: THE AUDIO LEVEL ADJUSTMENT DOES NOT AFFECT AN AUDIO INPUT SIGNAL THAT IS BEING RECORDED FOR A CUSTOM CHIME. THE CUSTOM CHIME RECORD LEVEL MUST BE ADJUSTED EXTERNAL AT THE AUDIO SOURCE. IMPORTANT: LOWERING THE CHIME AND AUDIO LEVEL WILL PREVENT SOUND DISTORTION.

INSTALLATION SETTINGS (Continued)



Setting the Tone/Delay - Four DIP switches provide a selectable trigger tone and various delays between when a chime is triggered and when the chime is actually generated.

Turning switch 1 ON enables a trigger tone that activates the audio sensing of the Paging Input of a Niles MultiZone System. Switches 2, 3 and 4 ON enable delay times. The delay time provided for each switch is indicated in the table below.

Delay times are summed together when multiple switches are selected (e.g. 2 and 3 = 3 seconds). There is no delay included if none of these DIP switches are selected.

- NOTES:** 1. THE CHIME CONTACT AND VOLTAGE TRIGGERS ARE IGNORED DURING A CHIME.
2. A TRIGGERED CHIME IS DELAYED 8 SECONDS AFTER THE COMPLETION OF A CHIME WHEN A TRIGGER TONE OR ANY AMOUNT OF DELAY IS SELECTED.

RECOMMENDED TONE/DELAY SETTINGS

Niles MultiZone System	Recommended Setting
Niles ZR-4	Tone On (1) no delay
Niles ZR-6	Tone On (1) no delay
IntelliControl® ICS GXR2	Tone On (1) no delay

(CONTINUED ON NEXT PAGE)

INSTALLATION SETTINGS (Continued)

Chime Selection - Two banks of DIP switches (Chime Selection 1 and Chime selection 2) provide independent selection of all the available chimes. The lowest number DIP switch takes priority if more than one switch is selected. The table below identifies the selectable chime for each DIP switch.

Switch	Chime
1	Standard Chime Recommended for a Front Door
2	Westminster Chime Recommended for a Front Door
3	Standard Chime Recommended for a Rear Door
4	Westminster Chime Recommended for a Rear Door
None	Recorded Custom Chime

Recording a Custom Chime - A mono analog audio signal can be recorded by the DBI-1 to create a Custom Chime. Analog audio signals to be recorded connect to the Audio Input. Stereo audio signals can be adapted to mono using an RCA “Y” Adapter Cable.

The DBI-1 was designed to record a Custom Chime at the same volume as the selectable chimes when recording the output of a typical CD player (@ 2V RMS). The record level for a Custom Chime must be adjusted externally at the audio source. Some trial and error will be required to obtain an exact volume match between a recordable Custom Chime and a selectable chime.

INSTALLATION SETTINGS (Continued)

RECORDING AN ACTIVE AUDIO SIGNAL

1. Press the record button to begin recording the audio signal (the recording starts immediately and the record LED flashes red).
2. The recording process will end after 12 seconds (when it is complete, the record LED turns off). Pressing the record button anytime before the 12 seconds have elapsed also ends the recording (the record LED turns off).

RECORDING A PAUSED AUDIO SIGNAL

1. Press the record button while there is no audio signal present at the audio input. This causes the DBI-1 to go into a record standby mode (the record LED lights solid red).
2. Activate the audio input signal. The recording will begin the moment an audio signal is sensed (the record LED flashes red).
3. The recording process will end after 12 seconds (when it is complete, the record LED turns off). Pressing the record button anytime before the 12 seconds have elapsed also ends the recording (the record LED turns off).

SPECIFICATIONS

Audio

Chime: 100Hz ~ 3kHz, +/- 3dB

Audio Pass Through: 10Hz ~ 50kHz, +/- 0.5dB

Power Supply

Input: 100-240V AC 50-60Hz 40W

Output: 12V DC 1.2 A

Trigger Inputs

Voltage Trigger Input: 3V-30V AC/DC

Contact Closure Inputs: < 100 ohms

Unit Dimensions

7-7/8" W x 1-1/8" H x 4-1/8" D

20 cm W x 2.9 cm H x 10.5 cm D

LIMITED WARRANTY

NILES AUDIO CORPORATION ("NILES") WARRANTS ITS ACTIVE PRODUCTS TO THE ORIGINAL PURCHASER TO BE FREE OF MANUFACTURING DEFECTS IN MATERIAL AND WORKMANSHIP FOR A PERIOD OF TWO YEARS FROM DATE OF PURCHASE.

THIS WARRANTY IS SUBJECT TO THE FOLLOWING ADDITIONAL CONDITIONS AND LIMITATIONS. THE WARRANTY IS VOID AND INAPPLICABLE IF NILES DEEMS THAT THE PRODUCT HAS BEEN USED OR HANDLED OTHER THAN IN ACCORDANCE WITH THE INSTRUCTIONS PROVIDED BY THE MANUFACTURER, INCLUDING BUT NOT LIMITED TO DAMAGE CAUSED BY ACCIDENT, MISHANDLING, IMPROPER INSTALLATION, ABUSE, NEGLIGENCE, OR NORMAL WEAR AND TEAR, OR ANY DEFECT CAUSED BY REPAIR TO THE PRODUCT BY ANYONE OTHER THAN NILES OR AN AUTHORIZED NILES DEALER.

TO OBTAIN WARRANTY SERVICE, TAKE THE UNIT TO THE NEAREST AUTHORIZED NILES DEALER, WHO WILL TEST THE PRODUCT AND IF NECESSARY, FORWARD IT TO NILES FOR SERVICE. IF THERE ARE NO AUTHORIZED NILES DEALERS IN YOUR AREA, YOU MUST WRITE TO NILES AND INCLUDE YOUR NAME, MODEL AND SERIAL NUMBER OF YOUR UNIT, ALONG WITH A BRIEF DESCRIPTION OF THE PROBLEM. A FACTORY RETURN AUTHORIZATION NUMBER WILL BE SENT TO YOU. DO NOT RETURN ANY UNIT WITHOUT FIRST RECEIVING WRITTEN AUTHORIZATION AND SHIPPING INSTRUCTIONS FROM NILES.

IF THE ABOVE CONDITIONS ARE MET, THE PURCHASER'S SOLE REMEDY SHALL BE TO RETURN THE PRODUCT TO NILES, IN WHICH CASE NILES WILL REPAIR OR REPLACE, AT ITS SOLE OPTION, THE DEFECTIVE PRODUCT WITHOUT CHARGE FOR PARTS OR LABOR. NILES WILL RETURN A UNIT REPAIRED OR REPLACED UNDER WARRANTY BY SHIPPING SAME BY ITS USUAL SHIPPING METHOD FROM THE FACTORY (ONLY) AT ITS EXPENSE WITHIN THE UNITED STATES OF AMERICA.

THERE ARE NO OTHER WARRANTIES, INCLUDING WITHOUT LIMITATION, EITHER EXPRESS OR IMPLIED WARRANTIES OF MERCHANTABILITY OR FITNESS FOR A PARTICULAR PURPOSE, WITH RESPECT TO THE PRODUCT.

REPAIR OR REPLACEMENT AS PROVIDED UNDER THIS WARRANTY IS THE EXCLUSIVE REMEDY OF THE CONSUMER/PURCHASER. NILES SHALL NOT BE RESPONSIBLE FOR ANY INCIDENTAL OR CONSEQUENTIAL DAMAGES EXCEPT TO THE EXTENT PROVIDED (OR PROHIBITED) BY APPLICABLE LAW.

SOME STATES DO NOT ALLOW THE EXCLUSION OR LIMITATION OF INCIDENTAL OR CONSEQUENTIAL DAMAGES, SO THE ABOVE LIMITATION MAY NOT APPLY TO YOU. THIS WARRANTY GIVES YOU SPECIFIC LEGAL RIGHTS, AND YOU MAY ALSO HAVE OTHER RIGHTS WHICH VARY FROM STATE TO STATE.

*FOR THE NAME OF YOUR NEAREST AUTHORIZED NILES DEALER CONTACT:
NILES AUDIO CORPORATION, P.O. BOX 160818, MIAMI, FLORIDA 33116-0818.*

Please fill in your product information and retain for your records.

Model _____ Serial No. _____ Purchase Date _____

WARRANTY REGISTRATION CARD

Model Purchased _____		Serial Number _____	
Date Purchased (month/day/year) _____		Dealer Name and Location _____	
<input type="radio"/> Dr.	<input type="radio"/> Miss	<input type="radio"/> Mr.	<input type="radio"/> Mrs.
Name _____		Address _____	
City _____	State _____	Zip _____	Tel () _____

Please take a moment to fill out our warranty registration card. The information helps us to get to know you better and develop the products you want

Age:

- Under 25
- 25-34
- 35-44
- 45-54
- 55 & over

Income:

- Under \$24,999
- \$25,000-\$44,999
- \$45,000-\$74,999
- \$75,000-\$99,999
- \$100,000-\$129,999
- Over \$130,000

Occupation:

- Arts/Entertainment
- Business Owner
- Engineer
- Finance/Accounting
- General Office
- Management
- Professional
- Sales/Marketing
- Student
- Tradesperson

Musical tastes: (Please check

- all that apply)**
- Alternative
 - Classical
 - Country
 - Jazz
 - New Age
 - Popular
 - R&B
 - Rock
 - Other _____

How did you hear about Niles?

- Architect/Developer
- Custom Installer
- Direct Mail
- Friend/Family
- In-Store Display
- Interior Designer
- Magazine Ad
- Mail-Order Catalog
- Newspaper Ad
- Product Brochure
- Product Review
- Retail Salesperson
- E-Mail

What magazines do you read?

1. _____
2. _____
3. _____

Who will install the product?

- Custom Installer
- Electrician
- Friend
- Myself

Which factor(s) influenced the purchase of your Niles product?

- (Please check all that apply)**
- Ease of Use
 - Price/Value
 - Product Features
 - Quality/Durability
 - Reputation
 - Style/Appearance
 - Warranty

Do you . . . ?

- Own a House. If yes, how many square feet?

- Own a Town House/Condominium/Co-op
- Rent an Apartment
- Rent a House

Are you interested in receiving literature on other Niles products?

- Yes
- No

Are there products/capabilities that you would like to see introduced?



BLENDING HIGH FIDELITY AND ARCHITECTURE®

Niles Audio Corporation
12331 S.W. 130 Street Miami, Florida 33186
1-305-238-4373

1-800-BUY-HIFI - www.nilesaudio.com

©2008 Niles Audio Corporation. All rights reserved. Niles, the Niles logos, Blending High Fidelity and Architecture, MicroFlasher and IntelliControl are registered trademarks of Niles Audio Corporation. Decora is a registered trademark of Leviton. All other trademarks are the property of their respective owners. DS00364E